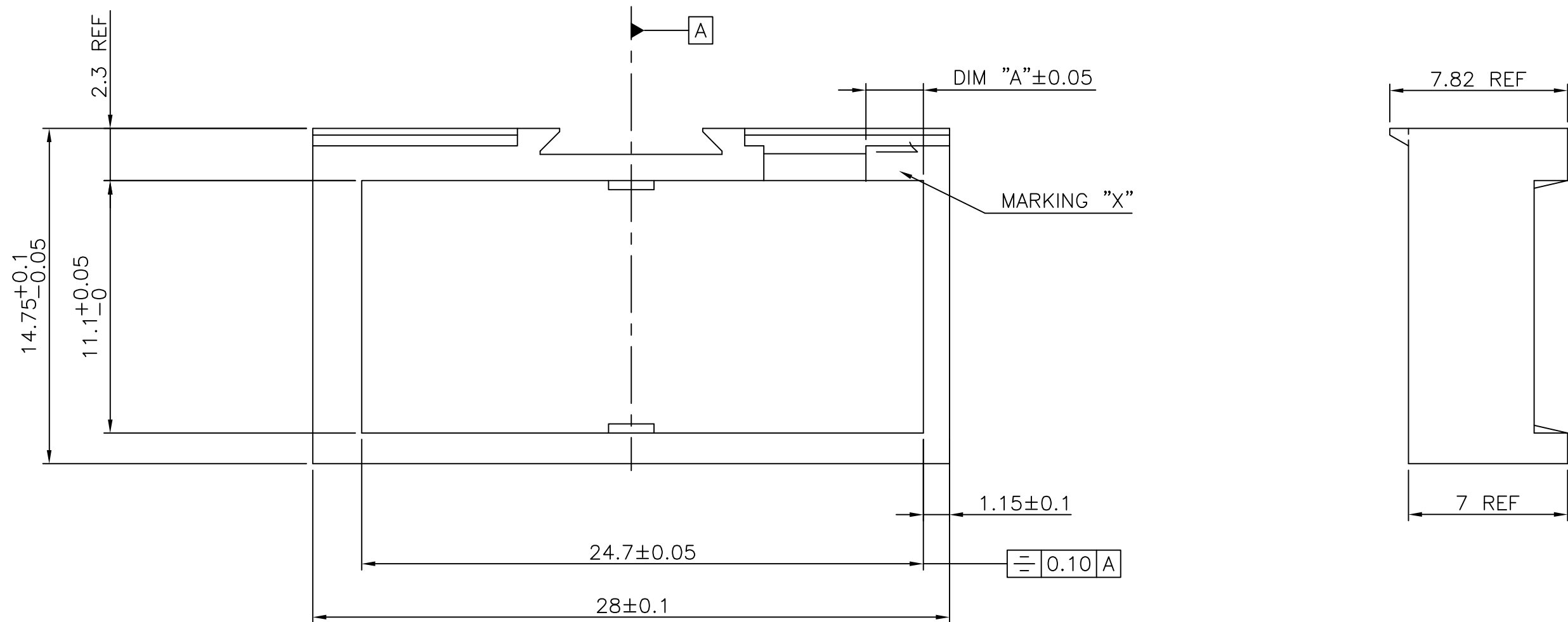


PRODUCT NUMBER	COLOR	MARKING "X"	DIM "A"
65184-001	BLACK	1	2.53
65184-004	BLACK	4	17.95
65184-011	GREY	1	2.53
65184-014	GREY	4	17.95

MATERIAL: MODIFIED POLYPHENYLENE OXYDE  
 FLAME RETARDANT PER UL 94 V1  
 COLOR: BLACK OR GREY.



NOTES:-

1. THIS PRODUCT MEETS EUROPEAN UNION DIRECTIVES AND OTHER COUNTRY REGULATIONS AS DESCRIBED IN GS-22-008.
2. LEADFREE OR RoHS DIRECTIVE LABELLING TO BE PROVIDED AS PER GS-14-920.
3. " LF " SUFFIX TO PRODUCT NUMBER FOR RoHS COMPATIBLE/ LEADFREE VERSION.
4. PARTS WITH AND WITHOUT "LF " SUFFIX ARE FORM-FIT AND FUNCTIONALLY IDENTICAL. " LF " SUFFIX PROVIDED FOR PART NUMBER STANDARDISATION OF PART THAT MEETS RoHS REQUIREMENTS.

mat'l. code SEE NOTE				surface ISO 1302 ✓		tolerance ISO 406 ISO 1101		projection mm		product family BACKPANEL			
ltr	ecn no	dr	date	tolerances unless otherwise specified		angles		linear		title LOCKING FRAME 1 MODULE		sheet 1 of 1	
E	H10092	HVS	1991-04-01									size A3	
F	F00406	LLA	2000-05-22										
G	F10138	GCO	2001-02-08										
H	I05-0042	MINI	2005-03-17	dr	G.CORBOZ	2001-02-08				dwg no 65184			
J	I05-0248	MINI	2005-11-22	enr	J.F.NOTTEAU	2001-02-08				type Product Customer Drawing			
K	I06-0068	MINI	2006-06-01	chr	RAKHEE GEORGE	2006-06-01							
sheet index				revision	K								
				sheet	1								



Copyright FCI